



Donaldson
FILTRATION SOLUTIONS

CYCLONE WATER SEPARATORS **AG-Z SERIES**

Compressed Air & Process Filtration

Donaldson Cyclone Water Separators are designed for removal of liquid water and particulate from compressed air and gases.

Donaldson Cyclone Water Separators are available in two sizes, depending on the flow rate. The AG-Z is a three-piece aluminum housing that includes swirl vanes allowing for efficient liquid removal with low pressure drop. The AG-Z is available in two housing sizes for flows up to 1,400 scfm.



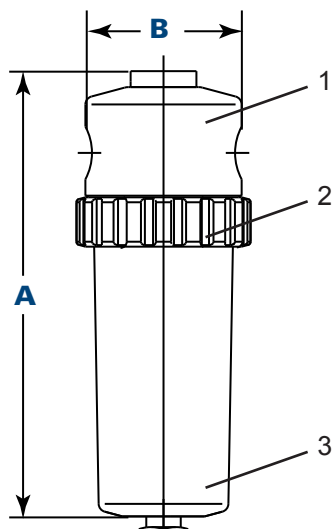
Cyclone Water Separator

HOW IT WORKS

The swirl vanes force the compressed air to change direction and swirl. During this swirling action, water and oil droplets cannot remain entrained in the compressed air stream because they are too heavy. The dry, compressed air exits through the center of the AG-Z while the previously aerosolized droplets are collected in the bottom of the housing to be drained away.



STANDARD



No.	Description
1	Upper Housing Bowl
2	Screw Locking Ring
3	Lower Housing Bowl

Model	Capacity ¹ (scfm)	Connection (FNPT)	Standard Dimensions			Weight (lbs)
			Height (A)	Width (B)	Conn. Height	
AG-Z 0144	900	2½"	25	8	22	19.8
AG-Z 0192	1,400	3"	25	8	22	19.6

¹ Capacity based on 100 psig inlet pressure; 14.7 psia, 68°F ambient conditions, and 1" psid.

CAPACITY CORRECTION FACTORS

Operating Pressure (psig)	15	30	45	60	75	90	100	115	130	150	175	200	220	230
Correction Factor	0.26	0.39	0.52	0.65	0.78	0.91	1.00	1.13	1.27	1.44	1.66	1.87	2.09	2.31

SPECIFICATIONS

MATERIALS		Retention Rate	99% for particles ≥10 µm
Filter Housing	Aluminum	Minimum / Maximum Design Temperature	34°F/150°F
Surface Finish	Polyester Powder Coating	Design Pressure	250 psig



Donaldson Company, Inc.
Compressed Air and Process Filtration
PO Box 1299
Minneapolis, MN
55440-1299 U.S.A.

Tel 800-543-3634 (USA)
Tel 800-343-3639 (within Mexico)
Fax 952-885-4791
compressedair@donaldson.com
donaldsonprocessfilters.com



Cyclone Water Separators AG-Z Series (09/14)

© 2007 Donaldson Co., Inc. All Rights Reserved. Information in the document is subject to change without notice.
{Contains Donaldson proprietary technology.}