



**P-PT**

**INDUSTRIAL STAINLESS  
STEEL FILTER HOUSINGS**

Compressed Air & Process Filtration

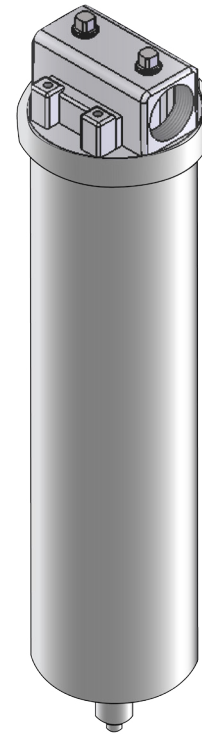
**Industrial stainless steel filter housing for water and corrosive liquids.**

Donaldson® P-PT single round filter housings are designed for industrial applications that require 316 SS construction. The single nut closure provides a positive radial seal and easy element replacement. The T-style in-line orientation allows for easy installation.

Available in NPT, Flange, Tri-Clamp®\* and welded end connection types.

Standard housings are built to accept Code 7 and 2 elements. Housings are also available in DOE, Code 3 and Code 8 filter elements.

A broad selection of filter elements are available to meet the compatibility and micron rating requirements of your process.



**P-PT**

**APPLICATIONS**

- Petrochemicals
- Solvents
- Process Water
- Potable Liquids
- Coolants
- Industrial Water

\* Tri-Clamp is a registered trademark of Ladish Company.

## SPECIFICATIONS

MATERIALS <sup>1</sup>	
Filter Head	316L SS
Sealing Nut	Nickle plated brass
Filter Bowl	316L SS
Housing Gasket	EPDM (also available in Viton <sup>®</sup> *, Buna and Silicone)

<sup>1</sup>DOE housings are also available in 304/Brass. Contact your Donaldson Representative for alternative material options.

SURFACE FINISH	
CODE 2, 7, 3, 8 HOUSINGS	DOE HOUSINGS
Filter Head - Bead Blast, Cast Stainless Steel	Filter Head - Bead Blast, Cast Stainless Steel
Filter Bowl - Industrial Electropolished	Filter Bowl - Polished

ELEMENTS
Standard in Code 7 / Code 2 connection. Contact your Donaldson Representative for Code 3 and Code 8 elements. DOE housing designs are also available upon request.

\* Viton<sup>®</sup> is a registered trademark of DuPont Performance Elastomers L.L.C.  
 \*\* Tri-Clamp is a registered trademark of Ladish Company.

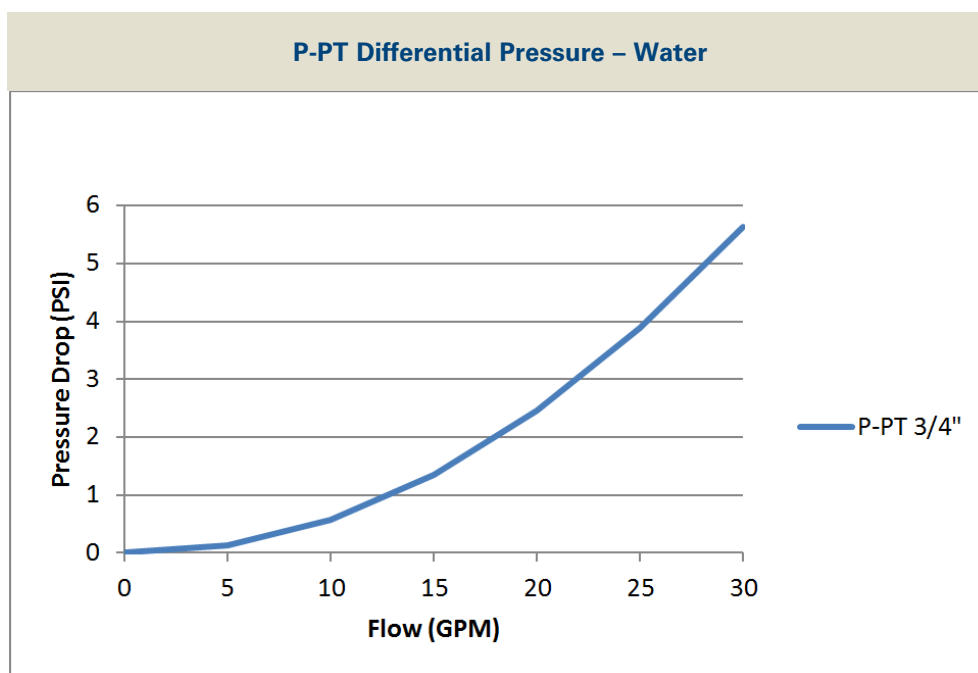
DESIGN PRESSURE / TEMPERATURE	
NPT	300 psi @ 200°F
Flange, Tri-Clamp <sup>®</sup> **, and Welded End	150 psi @200°F

CONNECTION TYPES	
CODE 2, 7, 3, 8 HOUSINGS	DOE HOUSINGS
3/4" and 1" NPT	3/4", 1/2", and 1" NPT
1" Flange	1" Flange
1" Tri-Clamp <sup>®</sup> **	1" Tri-Clamp
1" Welded End	

DRAIN	
CODE 2, 7, 3, 8 HOUSINGS	DOE HOUSINGS
1/4" NPT Drain w/plug	1/8" NPT Drain w/plug

INLET AND OUTLET GAUGE PORTS
1/4" FNPT Gauge Ports, plugged

ACCESSORIES INCLUDED
Nut closure tool and mounting brackets are included with the housing.



**NPT Housings**

Model Number	Capacity (gpm)	Connection (FNPT)	Code 2, 7, 3, 8 Dimensions (inches)		DOE Dimensions (inches)		Approximate Weight w/o Element (lbs)	Element	
			Height A	Width B	Height A	Width B		Size	Qty.
P-PT 0007	7	3/4"	17.4	3.5	13.6	3.5	7	10/30	1
P-PT 0007	7	1"	17.4	3.5	13.6	3.5	7	10/30	1
P-PT 0014	14	3/4"	27.4	3.5	23.6	3.5	9	20/30	1
P-PT 0014	14	1"	27.4	3.5	23.6	3.5	9	20/30	1
P-PT 0021	21	3/4"	37.4	3.5	33.6	3.5	12	30/30	1
P-PT 0021	21	1"	37.4	3.5	33.6	3.5	12	30/30	1

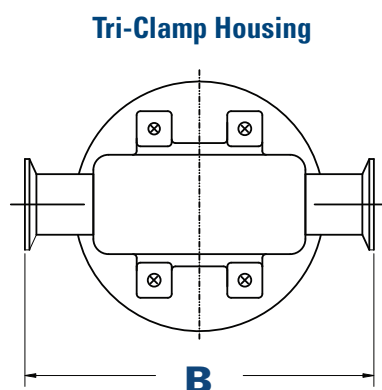
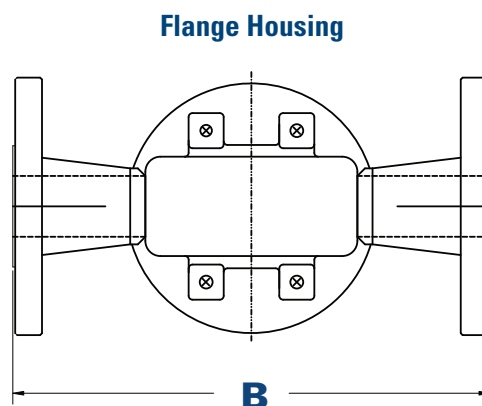
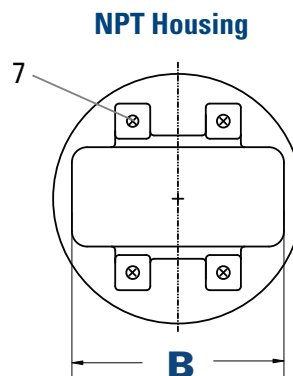
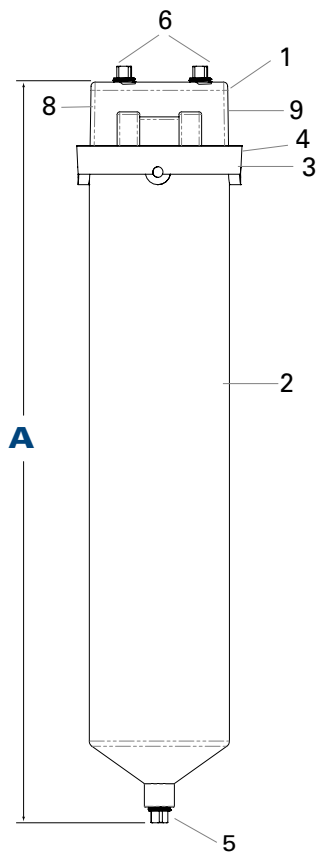
**Flange Housings**

Model Number	Capacity (gpm)	Connection (Flange)	Code 2, 7, 3, 8 Dimensions (inches)		DOE Dimensions (inches)		Approximate Weight w/o Element (lbs)	Element	
			Height A	Width B	Height A	Width B		Size	Qty.
P-PT 0007	7	1"	17.4	7.8	13.6	7.9	11	10/30	1
P-PT 0014	14	1"	27.4	7.8	23.6	7.9	13	20/30	1
P-PT 0021	21	1"	37.4	7.8	33.6	7.9	16	30/30	1

**Tri-Clamp Housings**

Model Number	Capacity (gpm)	Connection (Tri-Clamp)	Code 2, 7, 3, 8 Dimensions (inches)		DOE Dimensions (inches)		Approximate Weight w/o Element (lbs)	Element	
			Height A	Width B	Height A	Width B		Size	Qty.
P-PT 0007	7	1"	17.4	5.7	13.6	5.7	8	10/30	1
P-PT 0014	14	1"	27.4	5.7	23.6	5.7	10	20/30	1
P-PT 0021	21	1"	37.4	5.7	33.6	5.7	13	30/30	1

## DIMENSIONS



Position	Description
1	Head
2	Bowl
3	Locking ring
4	Housing gasket
5	Drain
6	Gauge port
7	Mounting holes (1/4" - 20 x 3/8" deep)
8	Inlet
9	Outlet



Donaldson Company, Inc.  
Compressed Air and Process Filtration  
PO Box 1299  
Minneapolis, MN  
55440-1299 U.S.A.

Tel 800-543-3634 (USA)  
Tel 800-343-3639 (within Mexico)  
Fax 952-885-4791  
processfilters@donaldson.com  
donaldsonprocessfilters.com



P-PT Industrial Stainless Steel Filter Housings (07/15)

© 2015 Donaldson Co., Inc. All Rights Reserved. Information in the document is subject to change without notice.  
{Contains Donaldson proprietary technology.}