

Silicone free Filter Housing AG Superplus silicone free

The silicone free aluminium filter housings are designed for the industrial purification of compressed air and gases of paint compatible filter elements used in paint applications.

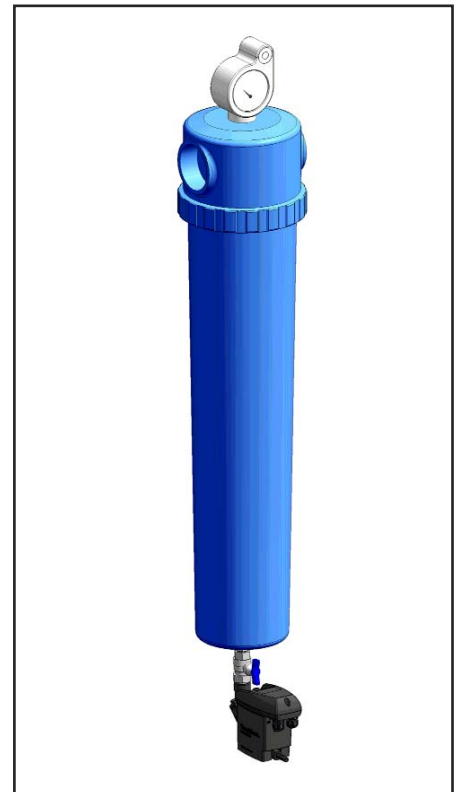
Product description:

The silicone free AG filter housings were designed especially for applications in the paint industry – paint compatible. The filter housings are free from substances that could cause defects in the paint and guarantees that solid particles that could cause contamination are deposited from the compressed air and gases.

Due to an optimised construction the housings offer low differential pressures at high flow rates.

A multitude of various housings with different connections, allow to match the requirements of the application, e.g. the compressor size.

This product series offers 3 different housings ranging from a volume flow of 1440 to 2880 m³/h (related to 7 bar (g) and 20°C).



Technical Data

Features:	Benefits:
Filter housing:	
Housing made of: three parts	Savings in maintenance and installation
Acoustic alarm signal	Maximum safety
Optimized housing construction for best flow velocity	Savings in purification costs of compressed air and gases

Materialien:	
Filter housing:	Aluminium mold cast
Screw locking ring with acoustic warning signal	Aluminium
Economizer differential pressure gauge	Plastic
Electronically controlled drain	Aluminium and fiber-glass reinforced plastic
Housing O-Ring	Viton

Maximum operating pressure:
16 bar

Surface finish:
Polyester resin coating

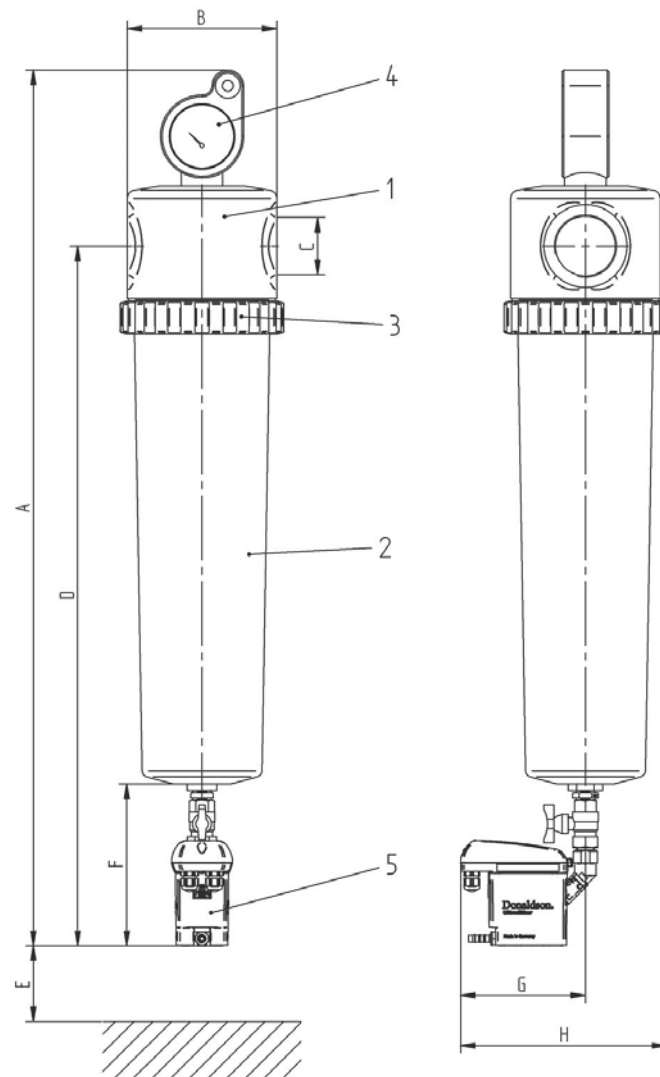
Maximum operating temperature:
+1°C / +65°C

Connection:
2 1/2" bis 3" BSP

Pos.	Piece	Description
5	1	Drain UFM-D05
4	1	Economizer N80
3	1	Screw locking ring
2	1	Lower housing bowl
1	1	Upper housing bowl

Industrial filter AG 0144 - 0288 SP silicone free

Maximum operating pressure:	16 bar
Test pressure:	22.88 bar
Maximum operating temperature:	+1°C / +65°C
Design-temperature:	120°C
Material:	EN AC-AISI 7 Mg 0.3
Paint coat:	polyester resin coating



Classification acc. to 97 / 23 / EG for fluids group 2	
AG 0144 - 0192	Cat. I
AG 0288	Cat. II

Housing size	Volume (l)	Weight* (kg)	A mm	ø B mm	C	D mm	E mm	F mm	G mm	H mm	Element size
0144	7,5	13,0	1055	180	G 2½	845	580	195	150	250	20/30
0192	9,7	14,1	1305	180	G 3	1095	850	195	150	250	30/30
0288	18,0	20,4	1325	210	G 3	1110	850	195	150	265	30/50

* without filter element