

# Filter Housing SG Superplus

The steel superplus filter housings with economizer and electronically controlled drain are designed for the purification of compressed air and gases.

## Product description:

SG superplus housings are designed for the purification of compressed air and gases in an industrial operation. The flanged housings due to an optimized construction offer low differential pressures at high flow rates and as a standard equipped with an economizer and an electronically controlled drain. Between drain and housing a ball valve is installed.

A multitude of various housings with different connections, single or multiple, allow to match the requirements of the application, e.g. the compressor size.

This product series offers 13 different housings ranging from a volume flow of 1080 m<sup>3</sup>/h to 38400 m<sup>3</sup>/h (related to 7 bar (ü) and 20°C).

The SG superplus housings conforms to the requirements of the European directive 87/404/EG for simple pressure vessels.



## Technical Data

| Materials:                       |                                |
|----------------------------------|--------------------------------|
| Filter housing, EG-type approval | Steel                          |
| Economizer: differential gauge   | Plastic                        |
| Electronic controlled drain      | Aluminium die cast and plastic |
| Sealing acc. to DIN 2690         | Aramide fibers                 |

| Maximum operating pressure: |        |
|-----------------------------|--------|
| 0108 - 0288                 | 16 bar |
| 0432 - 3840                 | 16 bar |

| Maximum operating temperature: |
|--------------------------------|
| 120°C                          |

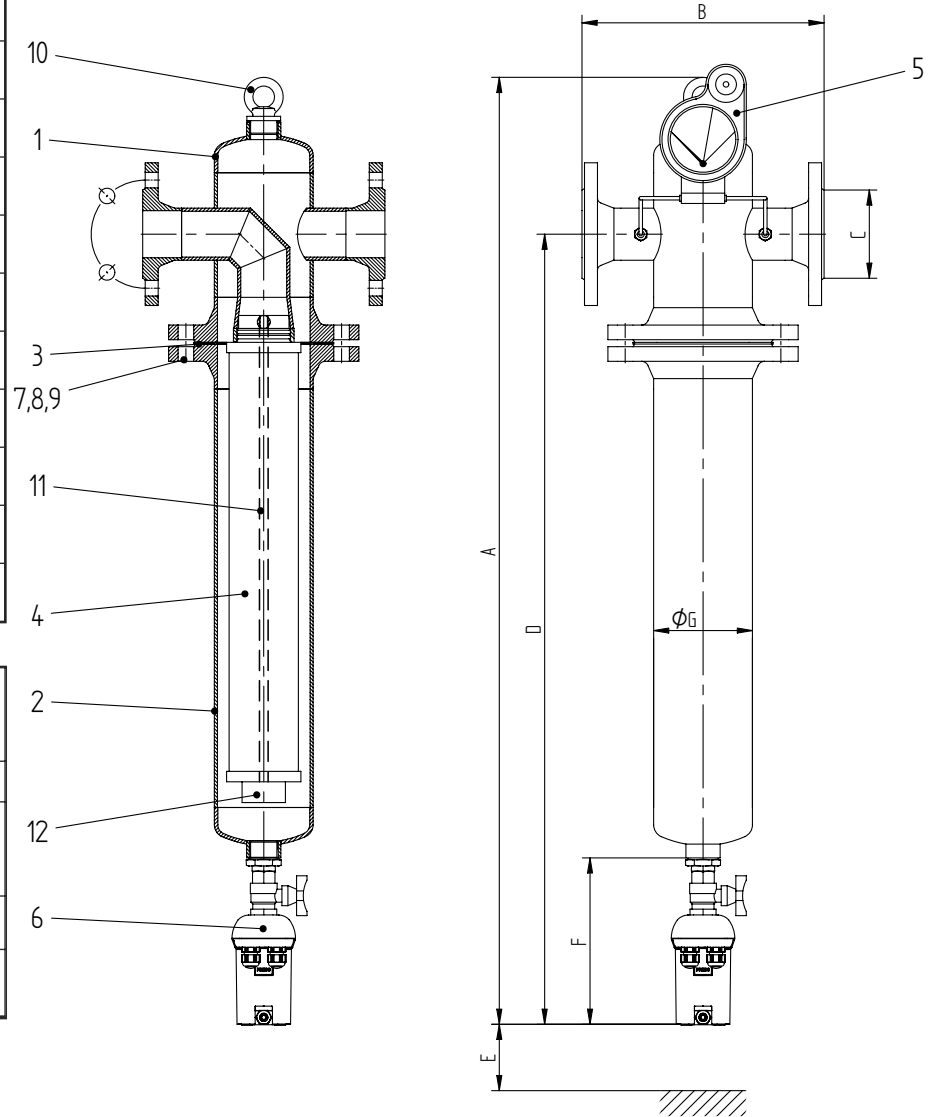
| Surface finish:         |
|-------------------------|
| Polyester resin coating |

| Connection IN/OUT:               |
|----------------------------------|
| Flange DN 50 to DN 300; DIN 2633 |

## Industrial filter SG 0108-0288 SP

| Pos. | Piece | Description        |
|------|-------|--------------------|
| 12   | 1     | knurled nut        |
| 11   | 1     | anchor bolt        |
| 10   | 1     | lifting eye bolt   |
| 9    | 1     | washer             |
| 8    | 1     | hexagon nut        |
| 7    | 1     | hexagon bolt       |
| 6    | 1     | drain UFM-T        |
| 5    | 1     | economizer         |
| 4    | 1     | filter element     |
| 3    | 1     | housing gasket     |
| 2    | 1     | lower housing bowl |
| 1    | 1     | upper housing bowl |

|                             |                         |
|-----------------------------|-------------------------|
| Max. operating pressure:    | 16 bar                  |
| test pressure:              | 24 bar                  |
| Max. operating temperature: | 120°C                   |
| Material:                   | carbon steel            |
| Paint coat:                 | polyester resin coating |



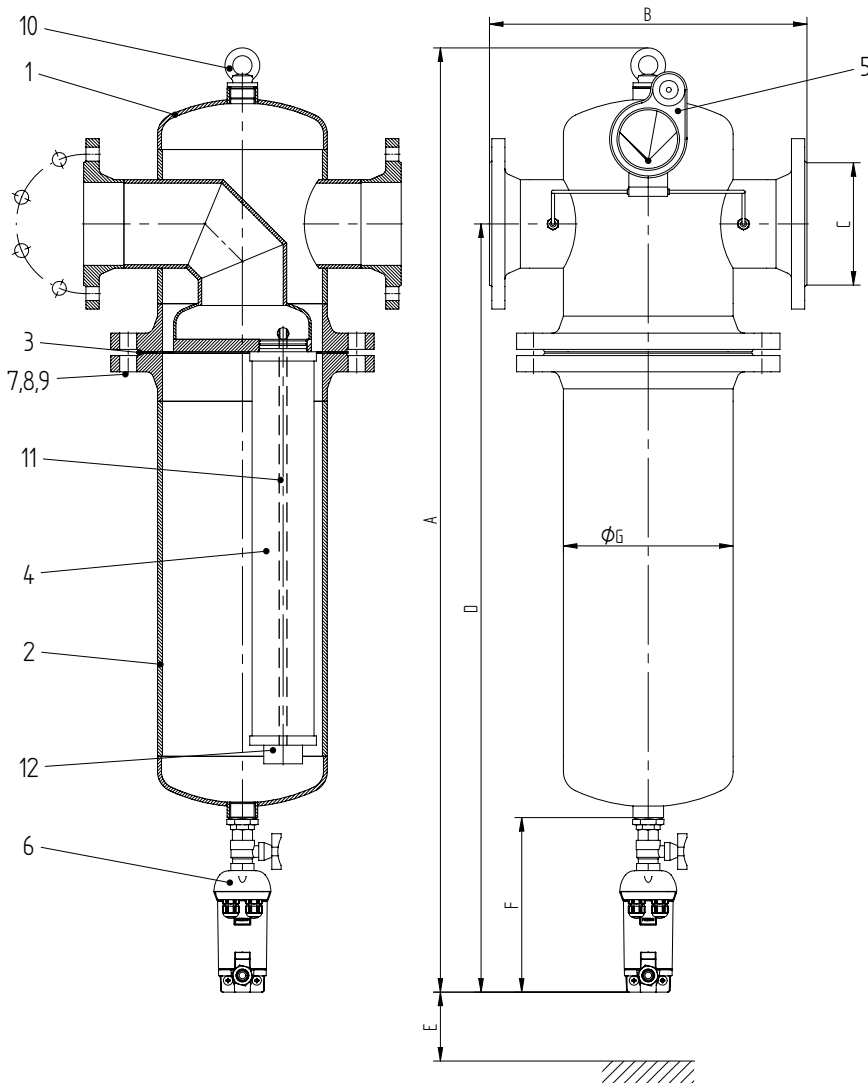
| Size | Volume (l) | Weight* (kg) | A mm | B mm | C DIN 2633 | D mm | E mm | F mm | ø G mm | Element |
|------|------------|--------------|------|------|------------|------|------|------|--------|---------|
| 0108 | 7,5        | 27,8         | 1100 | 280  | DN 50      | 905  | 450  | 195  | 114,3  | 15/30   |
| 0144 | 8,0        | 32,8         | 1100 | 280  | DN 65      | 905  | 580  | 195  | 114,3  | 20/30   |
| 0192 | 16,0       | 39,8         | 1410 | 320  | DN 80      | 1210 | 850  | 195  | 139,7  | 30/30   |
| 0288 | 23,5       | 53,8         | 1440 | 360  | DN 80      | 1225 | 850  | 195  | 168,3  | 30/50   |

\* without filter element

| Pos. | Description        |
|------|--------------------|
| 12   | knurled nut        |
| 11   | anchor bolt        |
| 10   | lifting eye bolt   |
| 9    | washer             |
| 8    | hexagon nut        |
| 7    | hexagon bolt       |
| 6    | drain UFM-D        |
| 5    | economizer         |
| 4    | filter element     |
| 3    | housing gasket     |
| 2    | lower housing bowl |
| 1    | upper housing bowl |

|                             |                         |
|-----------------------------|-------------------------|
| Max. operating pressure:    | 16 bar                  |
| test pressure:              | 24 bar                  |
| Max. operating temperature: | 120°C                   |
| Material:                   | carbon steel            |
| Paint coat:                 | polyester resin coating |

## Industrial filter SG 0432-3840 SP



| Size | Volume (l) | Weight* (kg) | A mm | B mm | C<br>DIN 2633 | D mm | E mm | F mm | ø G mm | Element  |
|------|------------|--------------|------|------|---------------|------|------|------|--------|----------|
| 0432 | 31         | 84           | 1220 | 410  | DN 100        | 990  | 580  | 225  | 219.1  | 3x20/30  |
| 0576 | 40         | 94           | 1490 | 410  | DN 100        | 1260 | 850  | 225  | 219.1  | 3x30/30  |
| 0768 | 70         | 134          | 1610 | 480  | DN 150        | 1330 | 875  | 225  | 273    | 4x30/30  |
| 1152 | 103        | 154          | 1585 | 540  | DN 150        | 1295 | 875  | 175  | 323.9  | 6x30/30  |
| 1536 | 168        | 240          | 1695 | 660  | DN 200        | 1350 | 875  | 175  | 406.4  | 8x30/30  |
| 1920 | 168        | 244          | 1695 | 660  | DN 200        | 1350 | 875  | 175  | 406.4  | 10x30/30 |
| 2304 | 312        | 379          | 1870 | 800  | DN 250        | 1485 | 875  | 235  | 508    | 12x30/30 |
| 3072 | 312        | 383          | 1870 | 800  | DN 250        | 1485 | 875  | 235  | 508    | 16x30/30 |
| 3840 | 463        | 533          | 2000 | 930  | DN 300        | 1570 | 900  | 235  | 600    | 20x30/30 |

\* without filter element