

Silicone free Filter Housing SG Superplus silicone free

The silicone free steel filter housings are designed for the industrial purification of compressed air and gases of paint compatible filter elements used in paint applications.

Product description:

The silicone free SG filter housings were designed especially for applications in the paint industry – paint compatible.

The filter housings are free from substances that could cause defects in the paint and guarantees that solid particles that could cause contamination are deposited from the compressed air and gases.

Due to an optimised construction the housings offer low differential pressures at high flow rates. A multitude of various housings with different connections, allow to match the requirements of the application, e.g. the compressor size.

This product series offers 13 different housings ranging from a volume flow of 1080 to 38400 m³/h (related to 7 bar (g) and 20°C).

The SG superplus housings conforms to the requirements of the European directive 87/404/EG for simple pressure vessels.



Technical Data

Materials:	
Filter housing, EG-type approval	Steel
Economizer: differential pressure gauge	Plastic
Electronic controlled drain	Aluminium die cast and plastic
Sealing acc. to DIN 2690	Aramide fibers

Maximum operating pressure:	
0108 - 0288	16 bar
0432 - 3840	16 bar

Maximum operating temperature:
120°C

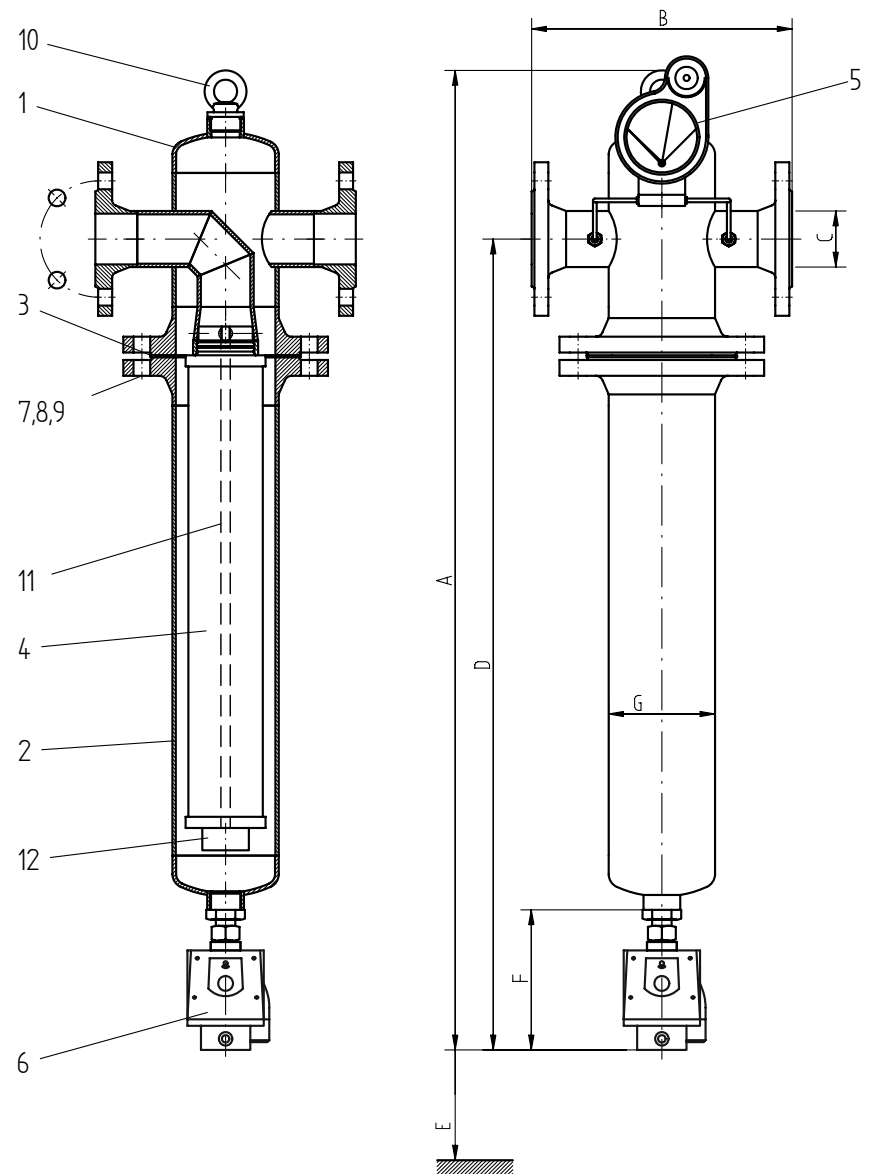
Surface finish:
Polyester resin coating

Connection IN/OUT:
Flange DN 50 to DN 300; DIN 2633

Industrial filter SG 0108-0288 SP silicone free

Pos.	Piece	Description
12	1	knurled nut
11	1	anchor bolt
10	1	lifting eye bolt
9	1	washer
8	1	hexagon nut
7	1	hexagon bolt
6	1	drain
5	1	economizer
4	1	filter element
3	1	housing gasket
2	1	lower housing bowl
1	1	upper housing bowl

Max. operating pressure:	16 bar
test pressure:	24 bar
Max. operating temperature:	120°C
Material:	carbon steel
Paint coat:	polyester resin coating



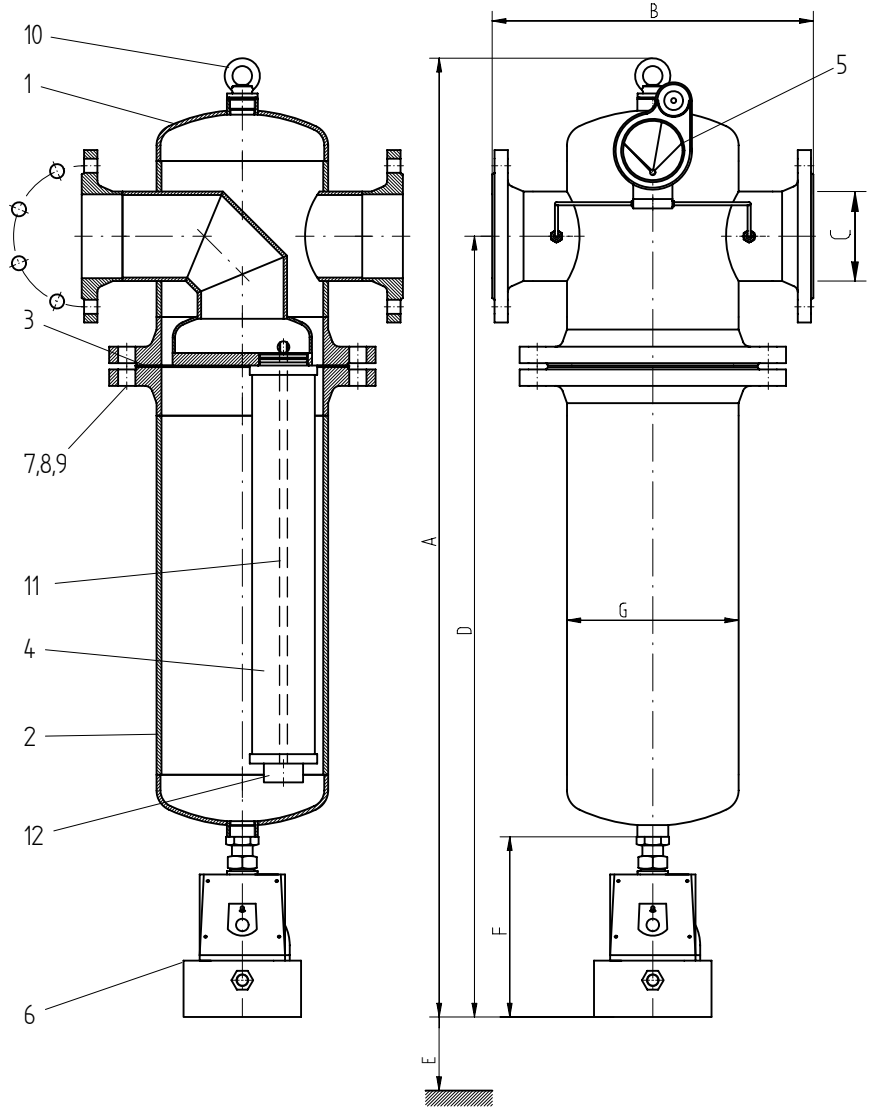
Size	Volume (l)	Weight* (kg)	A mm	B mm	C	D mm	E mm	F mm	ø G mm	Element
0108	7.5	27.8	1045	280	DN 50	850	450	140	114.3	15/30
0144	8.0	32.8	1045	280	DN 65	850	580	140	114.3	20/30
0192	16.0	39.8	1370	320	DN 80	1170	850	155	139.7	30/30
0288	23.5	53.8	1400	360	DN 80	1185	850	155	168.3	30/50

* without filter element

Industrial filter SG 0432-3840 SP silicone free

Pos.	Description
12	knurled nut
11	anchor bolt
10	lifting eye bolt
9	washer
8	hexagon nut
7	hexagon bolt
6	drain
5	economizer
4	filter element
3	housing gasket
2	lower housing bowl
1	upper housing bowl

Max. working-pressure:	16 bar
test pressure:	24 bar
Max. working temperature:	120°C
Material:	carbon steel
Paint coat:	polyester resin coating



Size	Volume (l)	Weight* (kg)	A mm	B mm	C	D mm	E mm	F mm	øG mm	Element
0432	31	84	1235	410	DN 100	1005	580	240	219.1	3x20/30
0576	40	94	1505	410	DN 100	1275	850	240	219.1	3x30/30
0768	70	134	1625	480	DN 150	1345	875	240	273	4x30/30
1152	103	154	1650	540	DN 150	1360	875	240	323.9	6x30/30
1536	168	240	1760	660	DN 200	1415	875	240	406.4	8x30/30
1920	168	244	1760	660	DN 200	1415	875	240	406.4	10x30/30
2304	312	379	1875	800	DN 250	1490	875	240	508	12x30/30
3072	312	383	1875	800	DN 250	1490	875	240	508	16x30/30
3840	463	533	2005	930	DN 300	1577	900	240	600	20x30/30

* without filter element